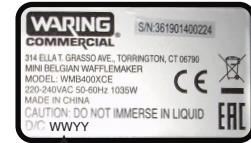
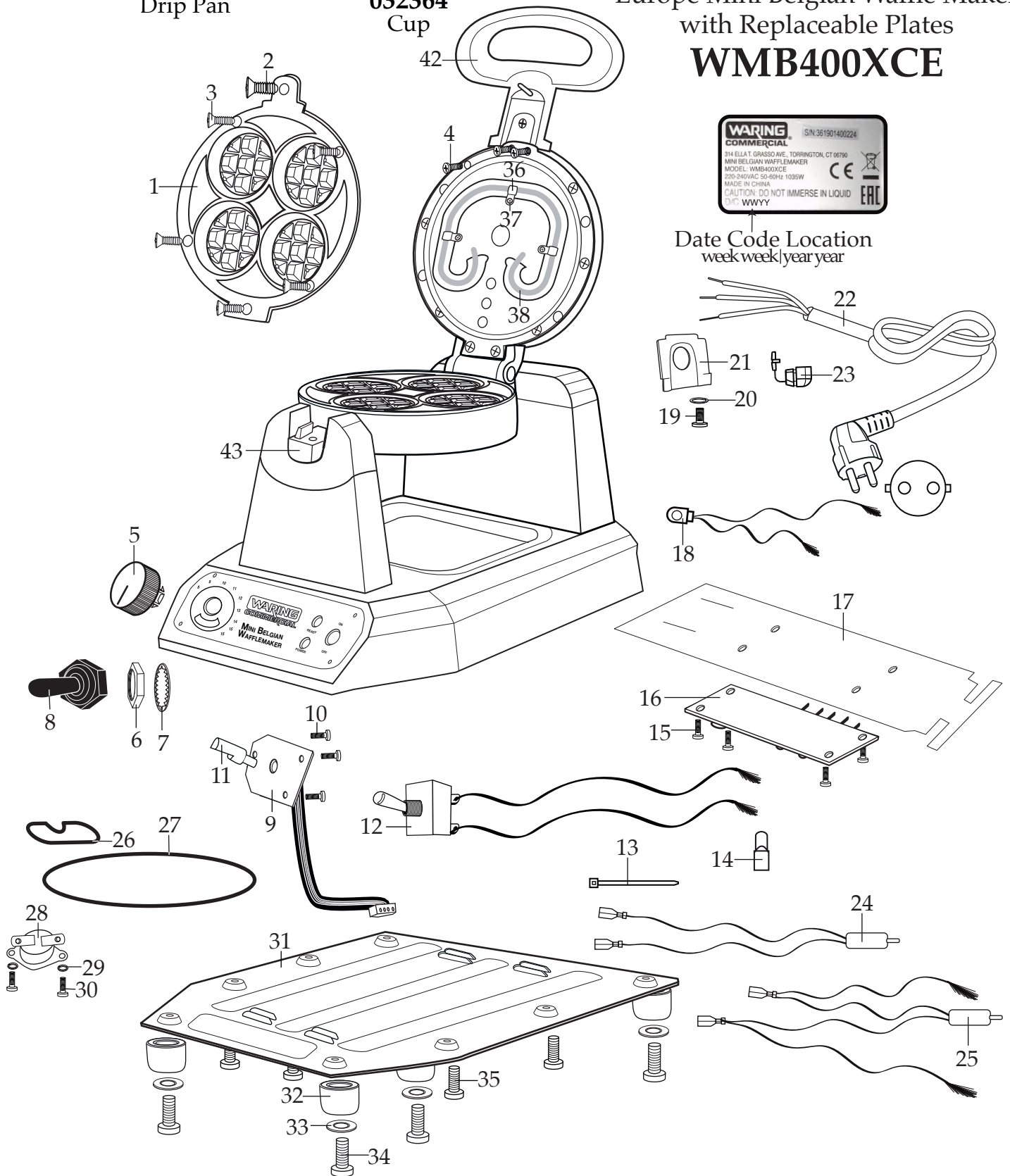
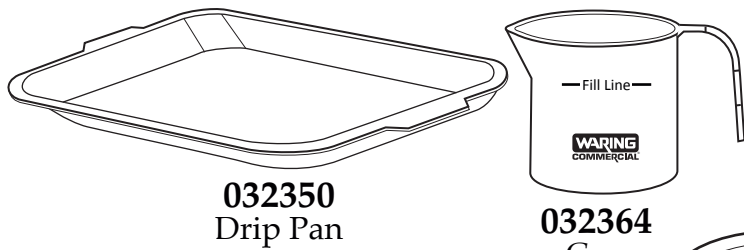


WARING COMMERCIAL®

Europe Mini Belgian Waffle Maker with Replaceable Plates WMB400XCE



Date Code Location
 week week year year



Catalog/Model

WMB400XCE

Waring Factory Service Center
314 Ella T. Grasso Ave.
Torrington, CT 06790
Tele. 1-800-269-6640

Waring
Fax 860-496-9017
www.waringcommercialproducts.com

Illustration#	Part#	Description
1	037507	Mini Belgian Waffle Plate (1 top - 1 bottom)
2	037357	Screw (1 required for top waffle plate - 1 required for bottom waffle plate)
3	037356	Screw (5 required for top waffle plate - 5 required for bottom waffle plate)
4	037493	Screw (10 required top element plate - 10 required for bottom element plate)
5	032352	Knob
6	016236	Hex Nut
7	037931	Locking Ring
8	035321	Toggle Switch Boot
9	035316	Darkness Control Board (short tape)
10	032359	Screw (3 required)
11	036241	Connector Pole
12	037927	Toggle Switch with Leads
13	013731	Wire Tie (8 required)
14	012409	Small Crimp Connector (5 required)
	019123	Large Crimp Connector (2 required)
15	032359	Screw (4 required)
16	037930	PCB Board
17	030638	Power Board Shield
18	037926	Green/Yellow Ground Lead Assembly
19	035298	Ground Screw
20	032751	Ground Spring Washer
21	032371	Cord Plate
22	037933	Cord Set
23	035476	Strain Relief
24	037928	Power Bulb with Lead Assembly
25	037929	Ready Bulb with Lead Assembly
26	038131	Small Rubber Gasket (1 with both top and bottom waffle plate)
27	038132	Round Rubber Gasket (1 with both top and bottom waffle plate)
28	038133	Thermostat
29	037504	Spring Washer (2 required)
30	032359	Screw (2 required)
31	032351	Bottom Plate

Illustration#	Part#	Description
32	032353	Foot (4 required)
33	032354	Foot Washer (4 required)
34	032355	Screw (4 required)
35	032750	Bottom Plate Screw (4 required)
36	037503	Clamp (3 top heating element - 3 bottom heating element)
37	032359 037504	Screw (3 top clamps - 3 bottom clamps) Spring Washer (3 top clamps - 3 bottom clamps)
38	037932	Heating Element (1 top - 1 bottom)
39	032751	Spring Washer (2 top heating element - 2 bottom heating element)
40	037505	Screw (2 top heating element - 2 bottom heating element)
41	037506	Insulated Sleeve (2 top heating element - 2 bottom heating element)
42	037488	Top Handle
43	037489	Bottom Handle
44	037493	Screw (2 top handle - 2 bottom handle)

